

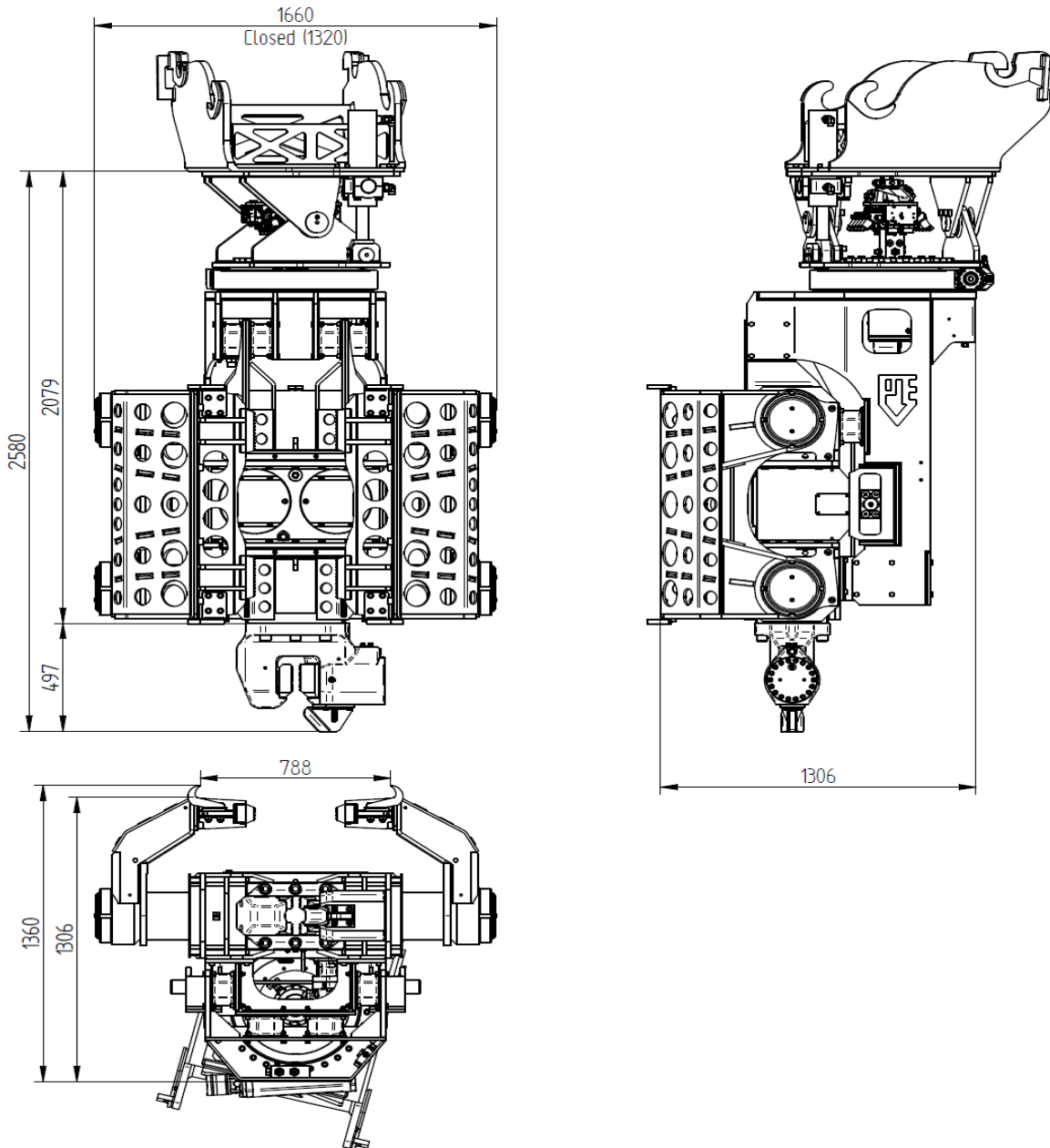


Specification sheet

PVE 2308SG

Sidegripper

English



Specifications :

PVE 2308SG

Eccentric moment	8 kgm	Clamps:	
Max. centrifugal force	464 kN	Sheet pile clamp	60TU
Max. frequency	2300 rpm	Transport weight per piece	280 kg
Max. amplitude excl. 60TU	6,9 mm		
Max. amplitude incl. 60TU	6,2 mm	Powerpack:	
Max. static line-pull	160 kN	Model	200
Max. operating pressure	350 bar		
Max. oil flow	214 l/min		
Forced lubrication	no		
Dynamic weight excl. 60TU	2326 kg		
Dynamic weight incl. 60TU	2576 kg		
Total weight excl. 60TU + Tilting adapter	3034 kg		