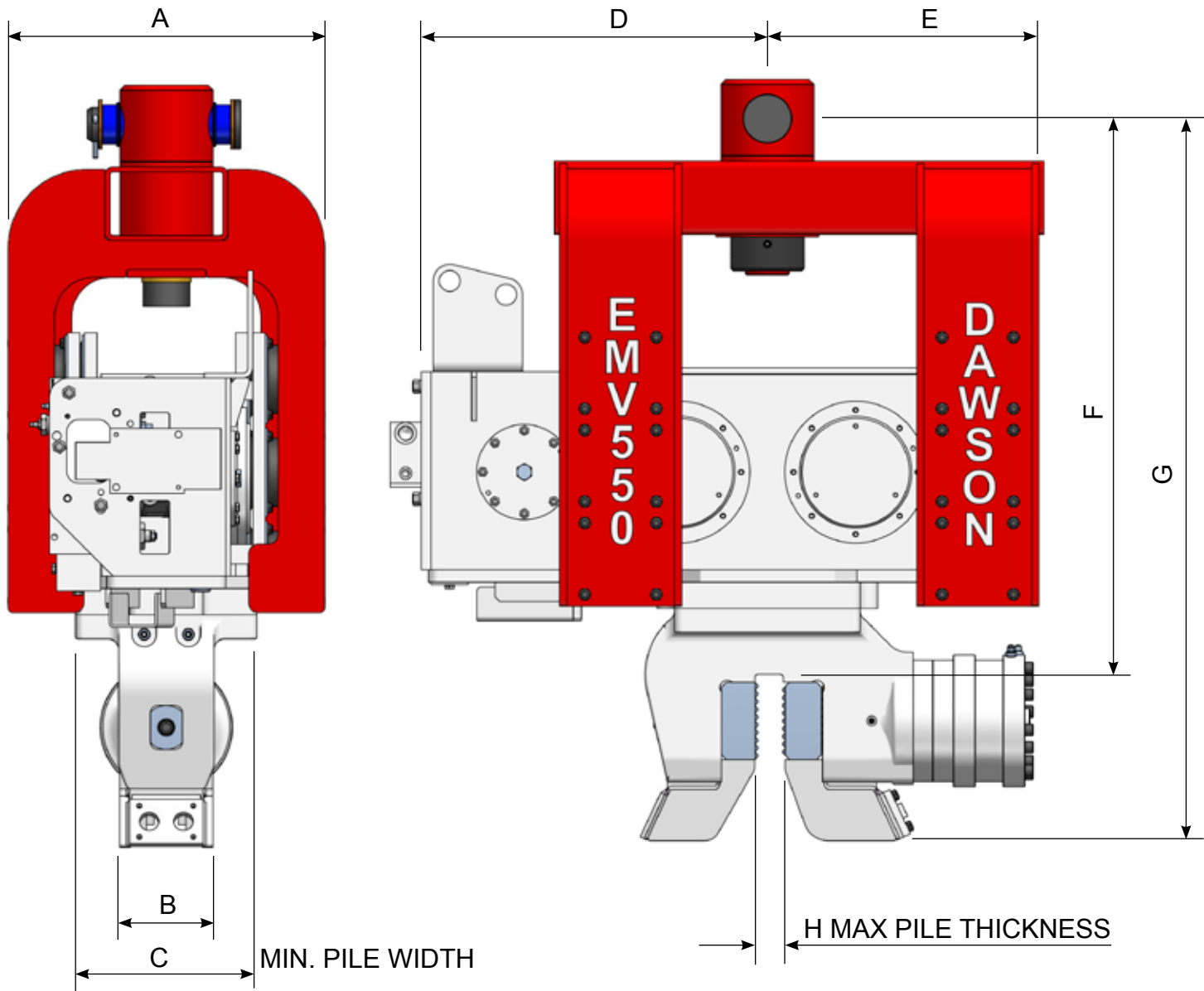
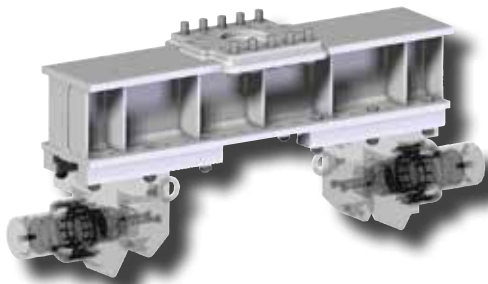


# EMV550 EXCAVATOR MOUNTED VIBRATOR BASIC TECHNICAL SPECIFICATIONS

SPECIFICATIONS	EMV550	
UNITS	METRIC	US
STATIC MOMENT	8.23 kgm	714 in lbs
FREQUENCY	2500 rpm	
CENTRIFUGAL FORCE	564 KN	125,592 lbs
AMPLITUDE	13.7 mm	0.54 in
MIN. HYDRAULIC FLOW RATE	256 L/min	68 gpm
MAX. HYDRAULIC FLOW RATE	400 L/min	107 gpm
MAX. HYDRAULIC PRESSURE	350 bar	5,076 psi
MIN. HYDRAULIC POWER	120 kW	160 hp
DYNAMIC MASS	1,150 kg	2,576 lbs
TOTAL MASS	1,500 kg	3,360 lbs
MAX. PILE MASS	1,400 kg	3,136 lbs
MAX. PUSH/PULL FORCE	22,500 kg	49,500 lbs
CLAMP FORCE	66 tonne	
TYPICAL EXCAVATOR WEIGHT	30 - 55 tonne	33 - 60 ton



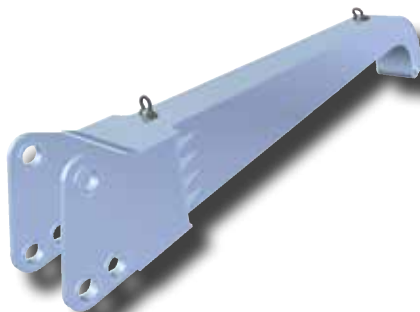
DIMENSIONS	A	B	C	D	E	F	G	H
mm	646	190	370	708	555	1137	1477	50
in	25.4	7.48	14.5	27.9	21.85	44.8	58.2	1.97



## CAISSON BEAM

Caisson beam jaw assemblies can be positioned to suit any tube size between Ø300 I.D & Ø1100 mm O.D.

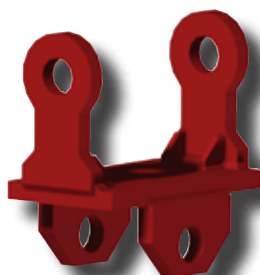
Part Number	Caisson Beam Assembly
4900	



## SWAN NECK

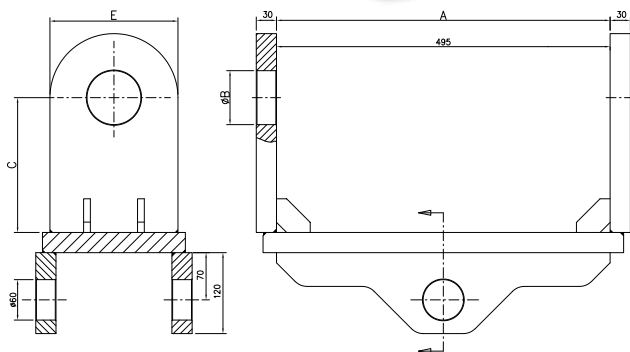
For extended reach and greater pile clearance on your excavator arm, enabling longer piles to be driven.

Part Number	Swan Neck
SN01-000-01	



## ADAPTOR BRACKETS

Part Number	Dimensions - mm				Dipper Pin Part Number
	A	B	C	D	
4063	340	60	175	140	4089
4063A	495	80	200	190	4089A
4063C	458	89.5	225	190	4089C
4063D	410	60	200	190	4089D
4063E	458	60	225	190	4089E
4063F	495	63.75	200	190	4089F
4063M	458	63.75	225	190	4089M
4063R	495	69.85	225	190	4089R



## QUICK HITCH ADAPTOR

When an excavator has a guide hitch fitted and a double acting breaker to supply the EMV, the Dawson quick hitch adaptor bracket supplies fast, easy connection to the end equipment while maintaining the same degree of movement.

Part Number	Quick Hitch Adaptor
4586	

## CHAIN CLAMP

For all lifting applications. The unit indexes along the links of the chain and locks into place giving a quick and simple chain lock for lifting.

### Features

- SWL of 2000 kg for the 8 mm chain clamp  
3200 kg for the 10 mm chain clamp  
8000 kg for the 16 mm chain clamp
- Robust high strength steel body
- Designed to withstand vibration - no screws or bolts!
- Minimal parts for durability
- Proof loading to twice the safe working load
- Quick coupling and release from load

Part Number	Chain Type	Safe Working Load
4130	16 mm	8 tonnes
TLR 360	10 mm	3.2 tonnes
4082	8 mm	2 tonnes

NEW ADDITIONAL SAFETY LATCH

